

Standard Product Reference Diagram

Inverter UVI/K0027A



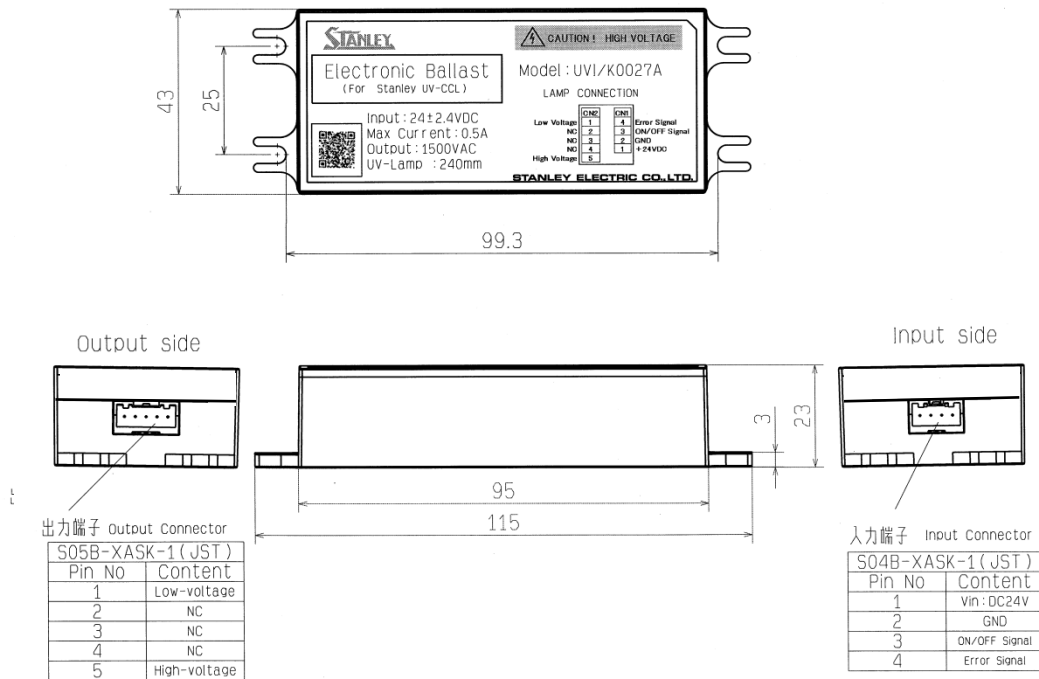
[Features]

- This is a dedicated lamp circuit for the UV-CCL manufactured by Stanley Electric Co., Ltd.
- The product comes with a failsafe function.
 - (1) Current fuse, (2) OPEN detection (3) Short-circuit detection
- When an error is detected, output stops, and an error signal is sent (OPEN COLLECT).
- There is a dedicated terminal for controlling ON/OFF, which is useful to the customer in controlling lamp ON.
- The case material is ABS, color: black.

*The inverter case specifications are not waterproof.

Do not use is water was applied during handling. Doing so may cause electric shock or short-circuit.

[Dimensions]



Inverter UVI/K0027A

[Specifications]

Item		Symbol	Measuring conditions	Specifications			Unit
				Min.	Typ.	Max.	
Input voltage	-	VB		21.6	24	26.4	V
Input current	-	lin	Vin = Typ. Ta=25°C±5°C	-	280	380	mA
Oscillation frequency	-	fo	Vin = Typ. Ta=25°C±5°C	30	50	60	kHz
Output current	-	IL	Vin= 21.6 to 26.4V Ta=25°C±5°C	13.5	15	16.5	mArms
Open output voltage	-	Vo	Vin = Min.	1500	-	-	Vrms
OPEN/SHORT Error signal	Normal	OPEN/SHORT COLLECTOR	-	0		0.7	V
	Error		-	Open collector			
Note 1	Voltage	Interface	-	TBD	TBD	30	V
	Current		-	120			mA
ON/OFF signal Note 2	ON	ON/OFF	-	2.5	-	7.0	V
	OFF		-	During the voltage described above or no signal			
				0	-	0.3	V

Note 1. If stopped due to an error, turn OFF the input voltage, and wait 3seconds before turning ON again to restart.

Note 2. The ON/OFF signal is the input signal during operations.

[Terminal Information]

(1) Input terminal

CN1: S04B-XASK-1 (JST specifications)

Pin No.	Symbol	Signal standards
1	Vin	Power supply 24.0V
2	GND	Power supply ground
3	EN	ON/OFF signal
4	FB	Error signal

*Housing for the input harness prepared by the customer: Use XAP-04V (JST).

(2) Output terminal

CN2: S05B-XASK-1 (JST specifications)

Pin No.	Symbol	Signal standards
1	OUT-L	Low voltage output (Low)
2	NC	NC
3	NC	NC
4	NC	NC
5	OUT-H	High voltage output (HOT)

[Operating and Storage Environment Specifications]

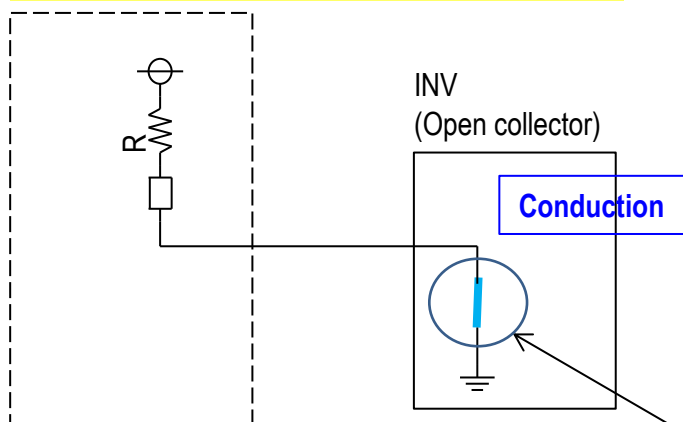
Item	Symbol	Conditions	Specifications		Unit
			Min.	Max.	
Operating temperature	Top	95%RH max.	-10	60	°C
Storage temperature	Tstg	95%RH max.	-30	85	°C
Operating humidity	Hop	60°C max.	5	95	%RH
Storage humidity	Hstg	85°C max.	5	95	%RH

*Make sure the storage period is no longer than 6 months max.

[Error Signal Wiring Example]

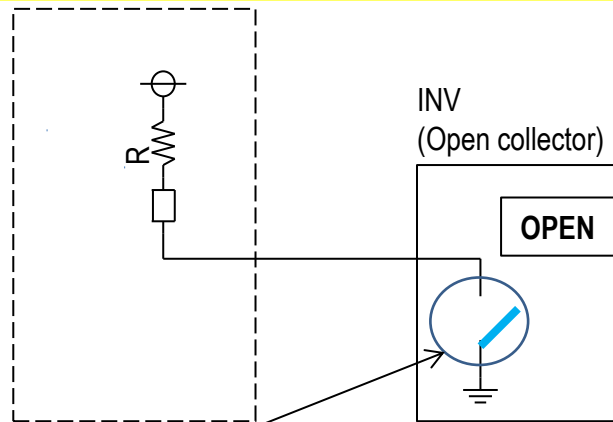
Normal

When "Normal", the TR (switch) is ON, and the LED is ON.



Error

During an "Error", the TR (switch) is OFF (OPEN), and the LED is OFF.



In reality, the role of this switch is performed by a TR (transistor).
 -Signal Lo: "Lo" because the switch is ON and connected to GND
 -Signal Hi: Relatively "Hi" because the switch is OFF and not connected to GND
 *"Hi/Lo" signals are generally expressed concomitant with the meanings described above.

Open error signal	Normal	0 to 0.7V *1
	Error	Open collector *2
Short-circuit error signal	Normal	0 to 0.7V *1
	Error	Open collector *2

*1. The error signal standard is GND.

*2. Error signal transistor specifications: V_{CE} : 30V, I_c : 120mA

Handling Precautions

1. The inverter is high voltage. There is a risk of electric shock, so when the lamp is ON, do not touch the lamp or inverter.
2. Do not immerse the product in water. Doing so risks short circuit and electric shock.
3. If the connection between the wire harness and the inverter is incomplete, it may cause smoke and fire.
Check that the fitting is complete to the very end.

Compliance with RoHS Directives and the Minamata Convention

1. This product conforms to RoHS directives.
2. The product is outside the scope of the Minamata Convention.
Both manufacture and sale will be possible from 2020. Use with peace of mind.
Separate and drain in the home according to local government rules, and businesses, etc., should process according to the law.

Requests and precautions described in this data sheet and when using the product

- 1) The technical information described in this data sheet describes typical application examples and characteristics, etc., and does not constitute a warranty for the implementation of business rights, etc., or consent for implementation rights.
- 2) The products, specifications, characteristics, and data, etc., described in this data sheet is subject to change without notice due to product improvements, etc. When using, make sure to check for the latest specifications.
- 3) When using the product described in the data sheet, make sure to strictly observe the maximum ratings described in the latest specifications, the operations power supply voltage range, heat discharge characteristics, and other precautions for use. Further, Stanley Electric Co., Ltd. can bear no responsibility for damages caused by use of the product that deviates from the maximum ratings described in the specifications, operations power supply voltage range, heat discharge characteristics, or other precautions for use.
- 4) The product described in the data sheet was manufactured for the purpose of use in general electronic device applications (office automation devices, communications devices, audiovisual devices, home appliances, and measuring instruments). Customers planning to use the product for applications other than those described above, or for applications that require high levels of reliability and safety, or applications where malfunction or misoperations poses a risk to human life or of bodily harm (aviation devices, aerospace devices, shipping devices, medical devices, and nuclear power control devices, etc.) should consult Stanley Electric Co., Ltd.'s helpdesk beforehand.
- 5) Products among those described in the data sheet to which the "Foreign Exchange and Foreign Trade Act" applies require authorization from the Japanese government if being shipped or taken out of Japan.
- 6) This data sheet may not be copied or reproduced either in whole or in part.
- 7) Acquire the latest version of this data sheet from the following address.
Website address: <http://www.stanley-components.com/jp>