

ILPL-K301-RGB1-SK105-01

ILP RGB LED, 3535, 4 Pin, 5V, SK6812 - 1k Reel

Product Overview

The ILPL-K301-RGB1-SK105-01 is an Intelligent LED with control and light emitting circuit, all contained in a 3535 sized package.

Based on the industry standard SK6812 device, the control circuit consists of signal shaping amplification, built-in constant current source, and a high precision RC oscillator.

The data protocol being used is the unipolar NRZ communication mode, where the 24-bit data is transmitted from the controller to DIN of the first LED, after an internal data latch, the remaining data is passed through the internal amplification circuit and sent out of the DO port to the remaining pixels. Using 'automatic shaping forwarding technology' means the number of cascaded LEDs is only limited by the signal transmission speed.



Applications

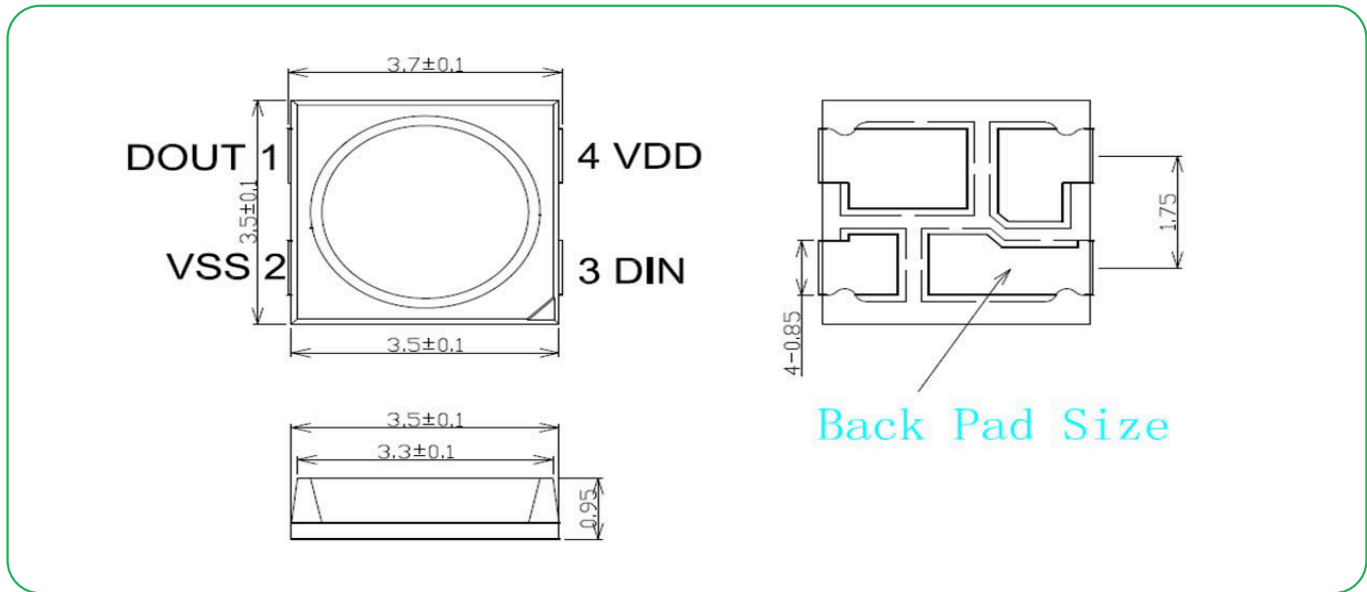
- Task Lighting
- Back Lighting
- Desk Lighting
- Garage Lighting
- Accent Lighting
- Under Cabinet Lighting
- Bar Lighting
- Refrigeration
- Industrial Applications
- Photography



Technical Features

- Control circuit and the RGB die all in one 3535 sized device
- Grey level adjusting control (256 level grey scale)
- Red drive special control enhances colour balance
- Transmission distance between two points can be up to 10M
- Using a typical data transmission frequency of 800 Kbps, you can achieve refresh rates of 30 frames per sec
- LEDs are MSL 6 - Mandatory Bake before use

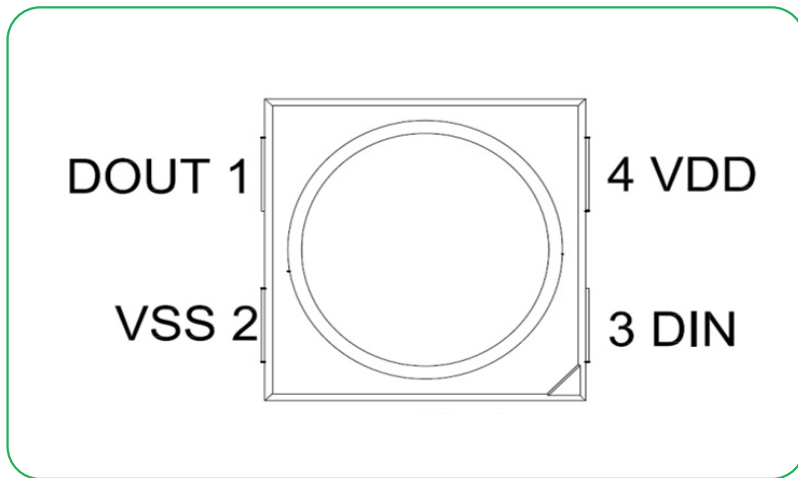
Technical Drawing (mm)



Notes:

1. All dimensions are in millimeters.
2. Tolerance is ± 0.1 mm unless otherwise noted

PIN configuration



No.	Symbol	Function Description
1	DOUT	Control data signal output
2	VSS	Ground
3	DIN	Control data signal input
4	VDD	Power supply LED

Absolute Maximum Ratings (Ta=25°, VSS=0V)

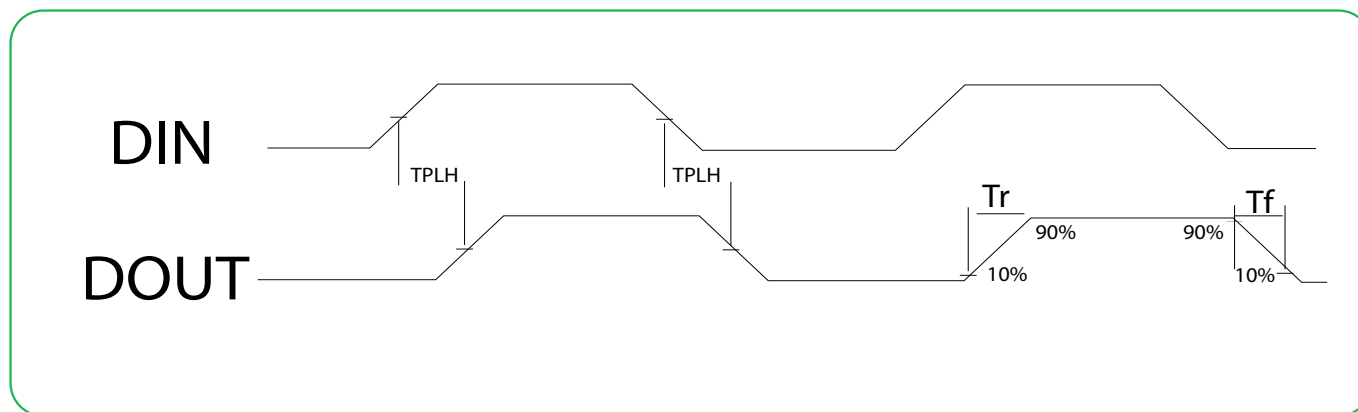
Parameter	Symbol	Range	Unit
Power supply voltage	VDD	+3.5 – +5.5	V
Logic input voltage	V _{IN}	-0.5 – VDD+0.5	V
Working temperature	Topt	-40 – +85	°C
Storage temperature	Tstg	-50 – +150	°C
ESD pressure	V _{ESD}	4K	V

The electrical parameters (unless otherwise specified, TA=-20 - +70°C, VDD=4.5 - 5.5V, VSS=0V)

Parameter	Symbol	Min	Typical	Max	Unit	Test Conditions
The chip supply voltage	VDD	-	5.2	-	V	-
R/G/B port pressure	VDS,M AX	-	-	26	V	-
DOUT drive capability	IDOH	-	49	-	mA	DOUT connect ground, the maximum drive current
	IDOL	-	-50	-	mA	DOUT connect +, the largest current
The signal input flip threshold	VIH	3.4	-	-	V	VDD=5.0V
	VIL	-	-	1.6	-V	
The frequency of PWM	FPWM	-	1.2	-	KHZ	-
Static power consumption	IDD	-	1	-	mA	-

The dynamic parameters (Ta=25°C)

Parameter	Symbol	Min	Typical	Max	Unit	Test Conditions
The speed of data transmission	fDIN	-	800	-	KHZ	The duty ratio of 67% (data 1)
DOUT transmission delay	TPLH	-	-	500	ns	DIN-DOUT
	TPHL	-	-	500	ns	
IOUT Rise/Drop Time	Tr	-	100	-	ns	VDS=1.5 IOUT=13mA
	Tf	-	100	-	ns	

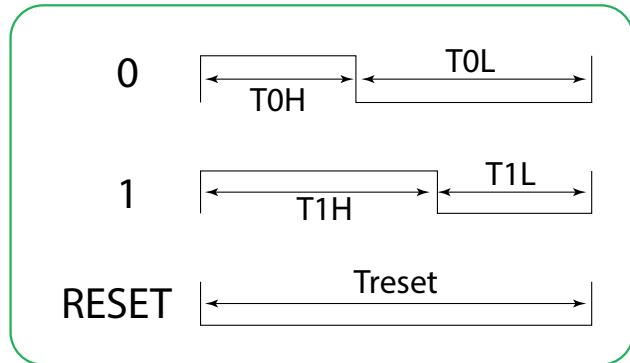


The data transmission time (TH+TL=1.25µs±600ns)

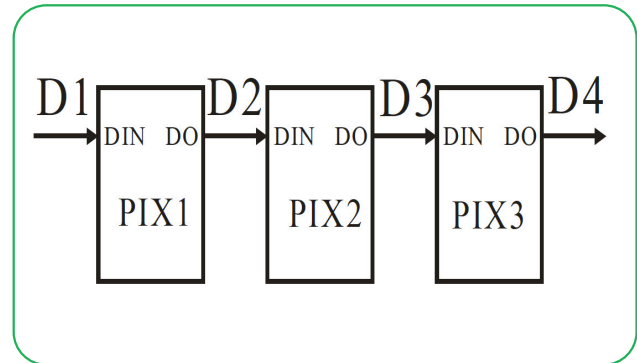
T0H	0 code, high level time	0.3µs	±0.15µs
T0L	0 code, low level time	0.9µs	±0.15µs
T1H	1 code, high level time	0.6µs	±0.15µs
T1L	1 code, low level time	0.6µs	±0.15µs
Trst	Reset code, low level time	80µs	

Timing waveform

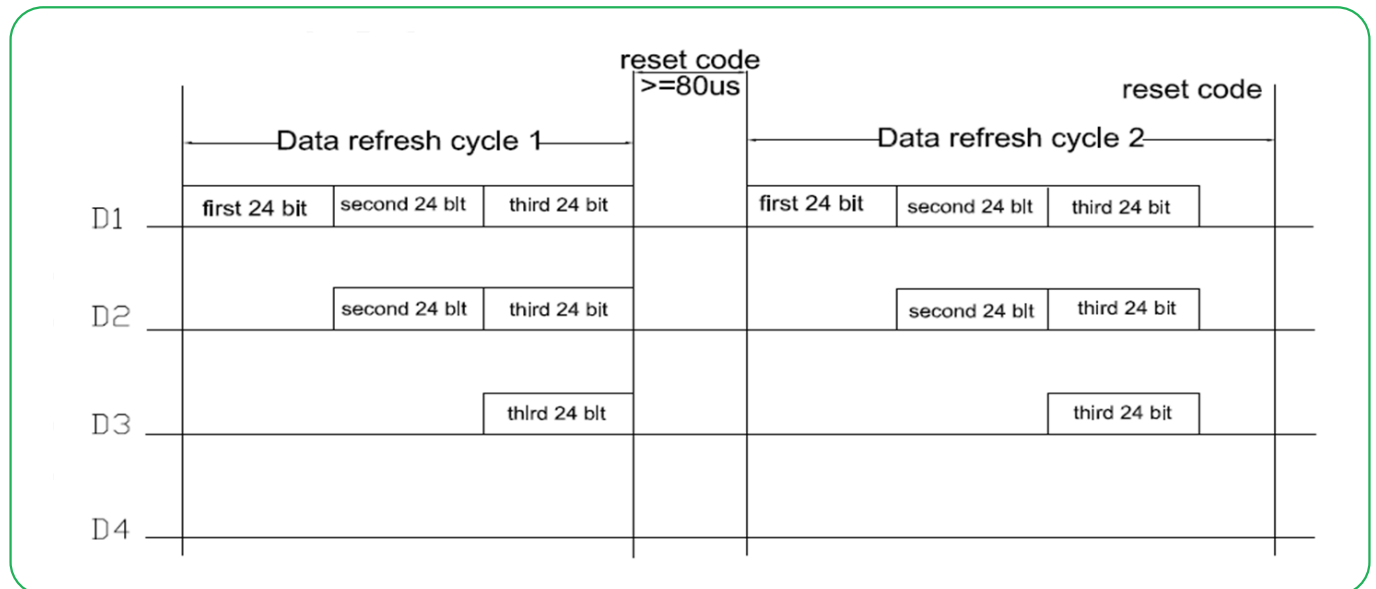
Input code:



Connection mode:



The method of data transmission



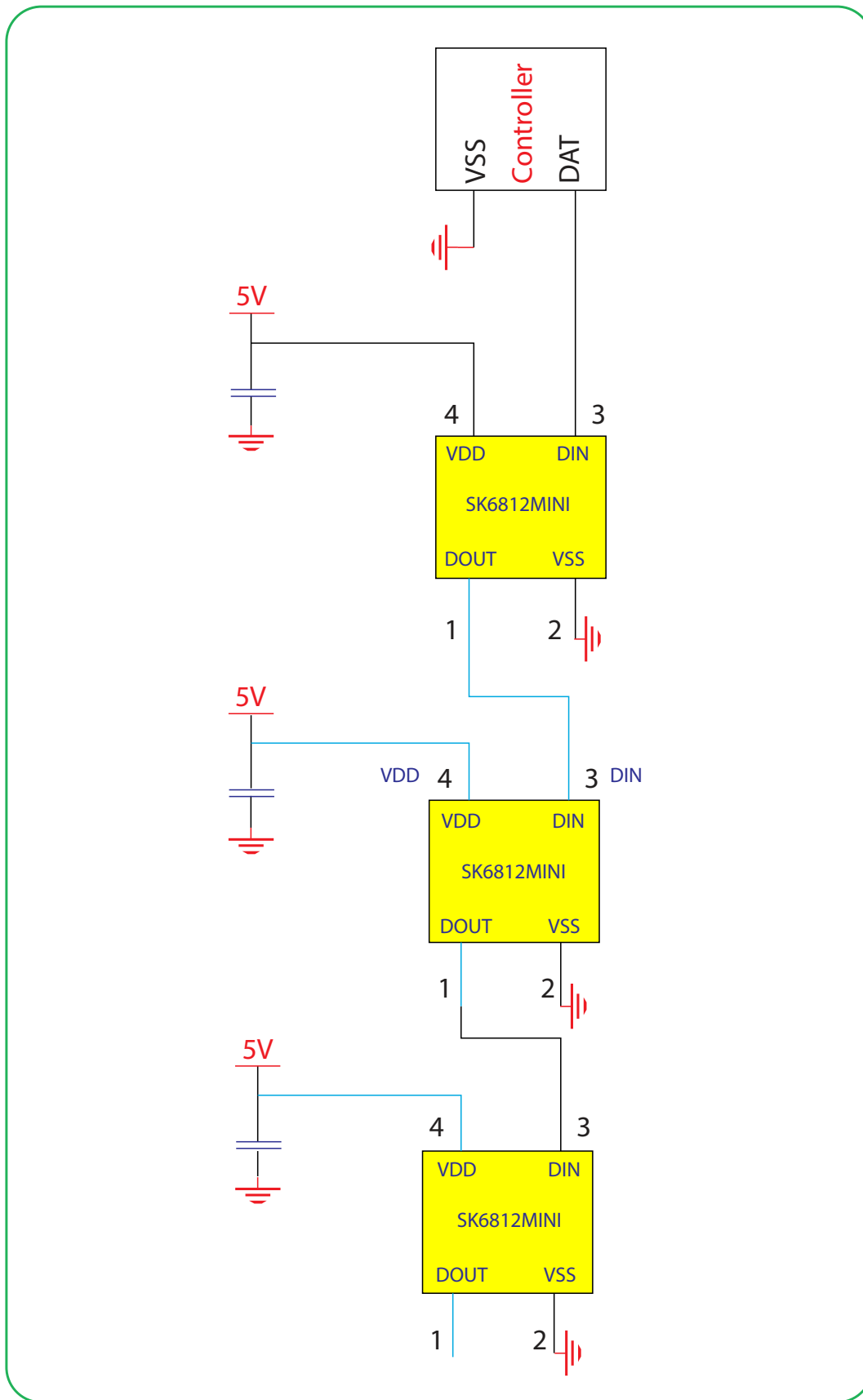
Note: the D1 sends data for MCU, D2, D3, D4 for data forwarding automatic shaping cascade circuit.

The data structure of 24bit

G7	G6	G5	G4	G3	G2	G1	G0	R7	R6	R5	R4
R3	R2	R1	R0	B7	B6	B5	B4	B3	B2	B1	B0

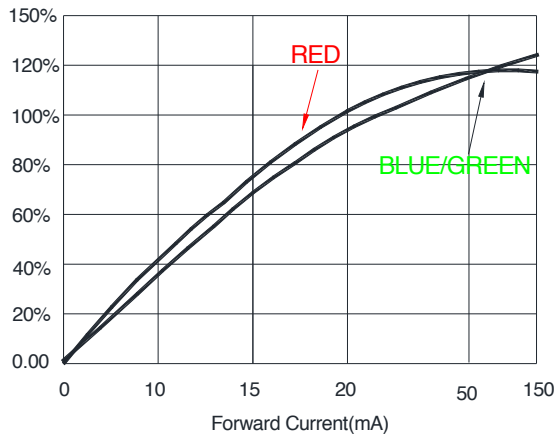
Note: high starting, in order to send data (G7 - G6 -B0)

The typical application circuit:

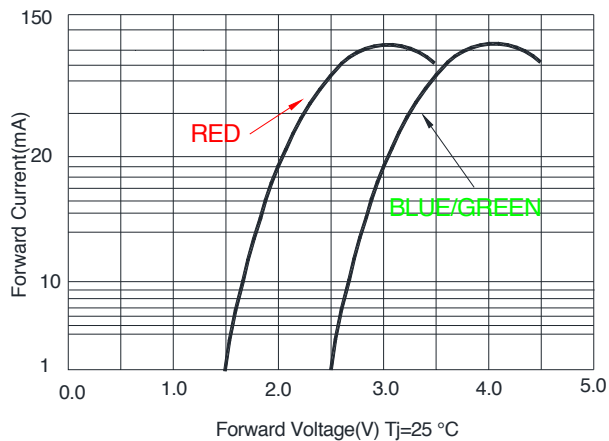


Standard LED Performance Graph

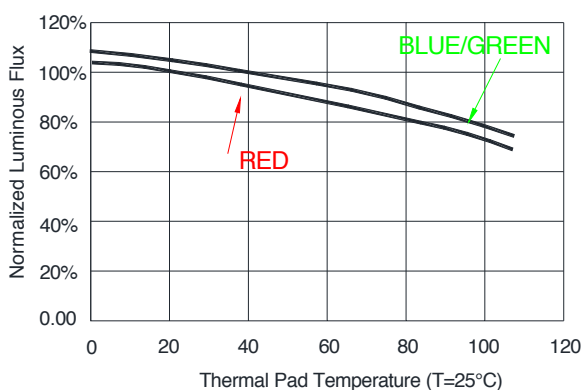
Typical Relative Luminous Flux vs. Forward Current



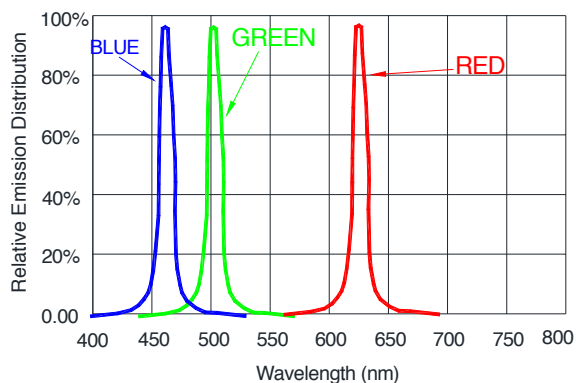
Forward Voltage vs. Forward Current



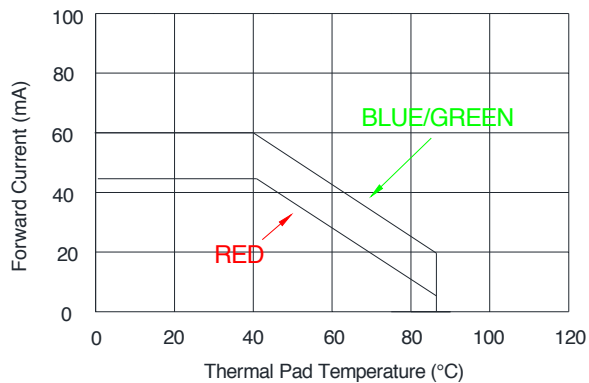
Thermal Pad Temperature vs. Relative Light Output



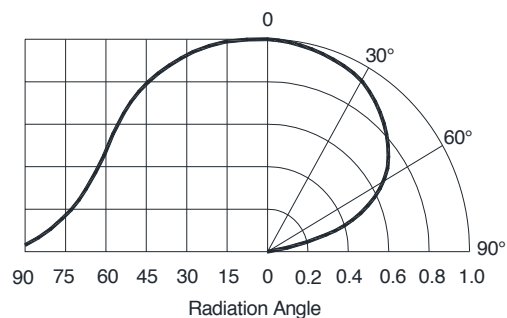
Wavelength Characteristics



Thermal Pad Temperature vs. Forward Current



Typical Radiation Pattern 120°



TOP SMD LED Application Notes

1. Features

The Purposes of making OPSCO's customers and users to have a clear understanding on the ways how to use the LED.

2. Description

Generally. The LED can be used the same way as other general purposed semiconductors. When using OPSCO's TOP SMD LED, the following precautions must be taken to protect the LED.

3. Cautions

3.1. Dust & Cleaning

This emitter has a silicone surface, There are many benefits to the silicone surface in terms of optical properties and improved reliability. However, silicone is a softer material and prone to attract dust. While a minimal amount of dust and debris on the LED will not cause significant reduction in illumination, steps should be taken to keep the emitter free of dust.

These include keeping the LEDs in the manufacturer's package prior to assembly and storing assemblies in an enclosed area after installing the emitters.

Surface condition of this device may change when organic solvents such as trichloroethylene or acetone were applied.

Avoid using organic solvent, it is recommended that isopropyl be used as a solvent for cleaning the LEDs.

When using other solvents, it should be confirmed beforehand whether the solvents will dissolve the package and the resin or not.

Do not clean the LEDs by the ultrasonic. When it is absolutely necessary, the influence as ultrasonic cleaning on the LEDs depends on factors such as ultrasonic power. Baking time and assembled condition. Before cleaning, a pre-test should be done to confirm whether any damage to the LEDs will occur.

3.2. Moisture Proof Package

In order to avoid the absorption of moisture during transportation and storage, LED are packed in the aluminum envelop, A desiccant is included in the aluminum envelop as it absorbs moisture. When moisture is absorbed into the AMT package it may vaporize and expand during soldering. There is a possibility that this can cause exfoliation of the contacts and damage to the optical characteristics of the LEDs. For this reason, the moisture proof package is used to keep moisture to a minimum in the package.

3.3. Storage

In order to avoid the absorption of moisture, It is recommended to store SMD LED (in bulk or taped) in the dry box (or the desiccator) with a desiccant, Otherwise to store them in the following environment as recommended.

a. Temperature: 5°C – 30°C

b. Humidity: 60% RH Max

It is recommended to solder the LED as soon as possible after unpacking the aluminum envelop, But in case that the LED have to be left unused after unpacking envelop again is requested.

The LED should be soldering within 1 hours after opening the package.

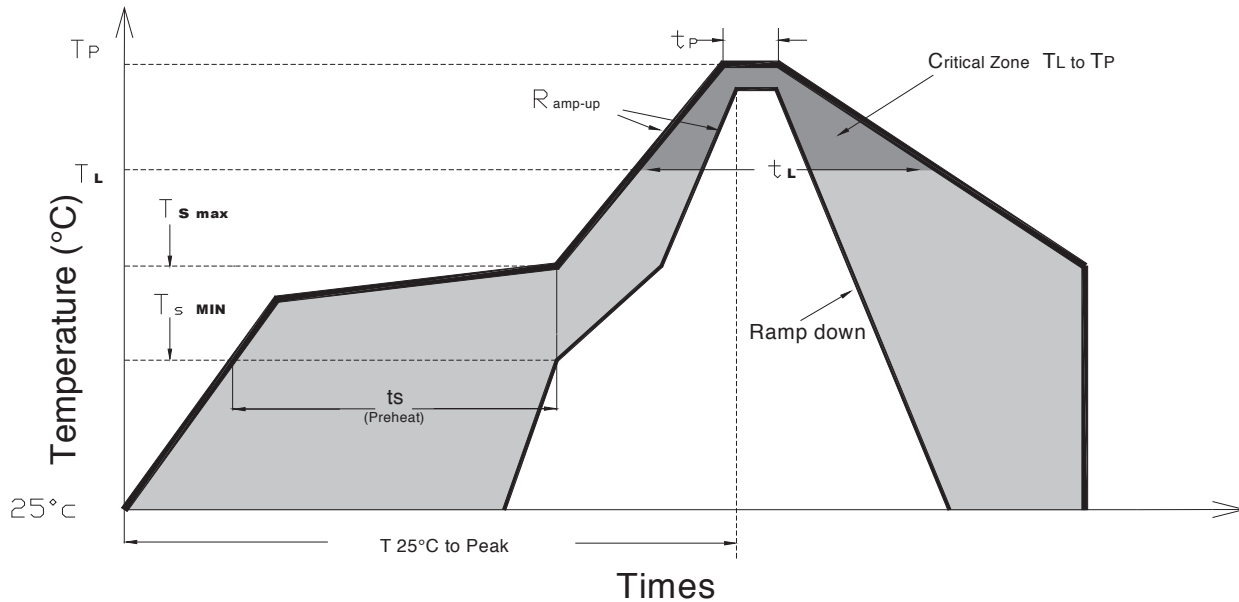
If baking is required, A baking treatment should be performed as follows:

70°C ±5°C for more than 24 hours.

Reflow Soldering Characteristics

In testing, OPSCO has found S50 LEDs to be compatible with JEDEC J-STD-020C, using the parameters listed below. As a general guideline OPSCO recommends that users follow the recommended soldering profile provided by the manufacturer of solder paste used.

Note that this general guideline is offered as a starting point and may require adjustment for certain PCB designs and Configurations of reflow soldering equipment.



Profile Feature	Lead-Based Solder	Lead-Free Solder
Average Ramp-Up Rate (Ts max to Tp)	3 °C/second max.	3 °C/second max.
Preheat: Temperature Min (Ts min)	100 °C	150 °C
Preheat: Temperature Min (Ts max)	150 °C	200 °C
Preheat: Time (ts min to ts max)	60-120 seconds	60-180 seconds
Time Maintained Above: Temperature (TL)	183 °C	217 °C
Time Maintained Above: Time (t L)	60-150 seconds	60-150 seconds
Peak/Classification Temperature (T P)	215 °C	240 °C
Time Within 5 °C of Actual Peak Temperature (tp)	<10 seconds	<10 seconds
Ramp-Down Rate	6 °C/second max.	6 °C/second max.
Time 25 °C to Peak Temperature	<6 minutes max.	<6 minutes max.

Note: All temperatures refer to topside of the package, measured on the package body surface.

Heat Generation

Thermal design of the end product is of paramount importance. Please consider the heat generation of the LED when making the system design. The coefficient of temperature increase per input electric power is affected by the thermal resistance of the circuit board and density of LED placement on the board, as well as components. It is necessary to avoid in tense heat generation and operate within the maximum rating given in this specification. The operating current should be decided after considering the ambient maximum temperature of LEDs.

Electrostatic Discharge & Surge Current

Electrostatic discharge (ESD) or surge current (EOS) may damage LED.

Precautions such as ESD wrist strap, ESD shoe strap or antistatic gloves must be worn whenever handling of LED.

All devices, equipment and machinery must be properly grounded.

It is recommended to perform electrical test to screen out ESD failures at final inspection.

It is important to eliminate the possibility of surge current during circuitry design.

Moisture Proof Package

Cannot take any responsibility for any trouble that are caused by using the LEDs at conditions exceeding our specifications.

The LED light output is strong enough to injure human eyes. Precautions must be taken to prevent looking directly at the LEDs with unaided eyes for more than a few seconds.

The formal specification must be exchanged and signed by both parties before large volume purchase begins. The appearance and specifications of the product may be modified for improvement without notice.

For further information please contact ILS

The values contained in this data sheet can change due to technical innovations. Any such changes will be made without separate notification.