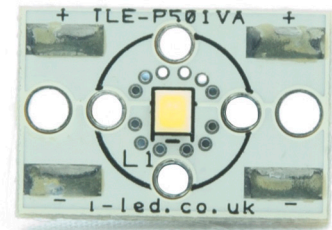


Duris® P5 Eco1 White

ILE-P501-XXXX-SC201. Series

Product Overview

At the heart of each Duris® P5 Eco1 is one OSRAM Opto Semiconductors Duris® P5. These are new low and mid-power LEDs, which are ideal for efficient and homogeneous lighting applications. The combination of a small/medium lumen package, a wide beam angle and a compact footprint is perfect for uniform light distribution. Eco1s are compact, powerful LED light sources built on FR4 with thermal vias for optimal thermal management. With long lifetimes also at high currents and superior corrosion resistance. Duris® Eco1s generate very little heat and therefore do not require any secondary Heat Sinking.



Applications

- General Lighting
- Decorative Lighting
- Task Lighting
- Spot Lighting
- Downlighters
- Retail and Entertainment Lighting
- Harsh Environment Lighting
- Linear Lighting
- Hydroponic Lighting

Technical Features

- Duris® Eco1s contain a Duris® P5 LED with high efficacy and a wide beam angle
- More than 50,000 hour lifetime to 70% of original brightness
- Mounting holes using M3 screws allows easy installation
- Size (L x W x H): 20.25x13.70x3.05mm
- Secondary lens can be fitted - Check options in Suitable Lens and Reflector Section
- Duris® Eco1s can be linked together to produce longer chains
- Current range 30 to 250mA

*This datasheet should be read in conjunction with the relevant OSRAM Opto Semiconductors data on the LED used

Important Information and Precautions

- The Duris® Eco1's LED, when powered up, is very bright. Thus it is advised that you do not look directly at it. Turn the Eco1 away from you and do not shine into the eyes of others.
- Do not operate Duris® Eco1's with a Power Supply with unlimited current. Connection to constant voltage Power Supplies that are not current limited may cause the Eco1 to consume current above the specified maximum and cause failure or irreparable damage.
- The Eco1 board is a DOUBLE sided board for ease of connections, please ensure that one side is insulated to avoid shorting.
- DO NOT HOT PLUG ON LED SIDE OF POWER SUPPLY.
- DO NOT TOUCH or PUSH on the LED as this can cause irreparable damage.

Product Options

ILS PART NUMBER	Colour	Colour Temp* (Degrees Kelvin)	Typical Wattage §	Forward Voltage	Flux † @ 100mA min&max	Flux @100mA typical	Radiance Angle	Relevant OSRAM LED Data
ILE-P501-HWWH-SC201.	Hot White	2700K	0.32 watts	2.6 to 3.6 volts	24-30.4	31	120° (± 60°)	GW DASPA1
ILE-P501-WMWH-SC201.	Warm White	3000K	0.30 watts	2.6 to 3.6 volts	24.0-35.9	33	120° (± 60°)	GW DASPA1
ILE-P501-QZWH-SC201.	Quartz White	3500K	0.33 watts	2.6 to 3.6 volts	25.9-33.0	33	120° (± 60°)	GW DASPA1
ILE-P501-NUWH-SC201.	Neutral White	4000K	0.21 watts	2.6 to 3.6 volts	25.9-35.9	33	120° (± 60°)	GW DASPA1
ILE-P501-WHWH-SC201.	White	5000K	0.33 watts	2.6 to 3.6 volts	25.9-39.0	34	120° (± 60°)	GW DASPA1
ILE-P501-STWH-SC201.	Street White	5700K	0.22 watts	2.6 to 3.6 volts	TBC	33	120° (± 60°)	GW DASPA1
ILE-P501-ULWH-SC201.	Ultra White	6500K	0.3 watts	2.6 to 3.6 volts	TBC	33	120° (± 60°)	GW DASPA1

* Due to the special conditions of the manufacturing processes of LEDs, the typical data of technical parameters can only reflect statistical figures and do not necessarily correspond to the actual parameters of each single product which could differ from the typical data.

§ Tolerance +/- 10%

† Measured with 20mS 120mA pulse at 25 °c

Minimum and Maximum Ratings

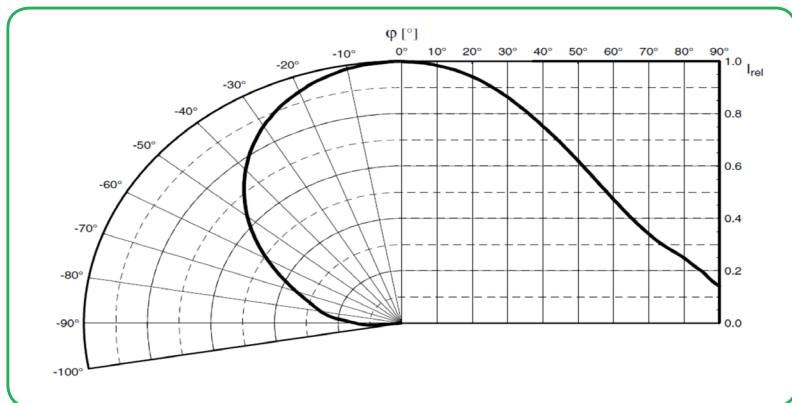
ILS PART NUMBER	Operating Temperature at Tc-Point [°C]*	Storage Temperature [°C]*	Forward Current per chip [mA]*	Reverse Voltage [Vdc]*
ILE-P501-HWWH-SC201.	70°C max	- 40 to 110°C	250mA max	not designed for reverse voltage
ILE-P501-WMWH-SC201.	70°C max	- 40 to 110°C	250mA max	not designed for reverse voltage
ILE-P501-QZWH-SC201.	70°C max	- 40 to 110°C	250mA max	not designed for reverse voltage
ILE-P501-NUWH-SC201.	70°C max	- 40 to 110°C	250mA max	not designed for reverse voltage
ILE-P501-WHWH-SC201.	70°C max	- 40 to 110°C	250mA max	not designed for reverse voltage
ILE-P501-STWH-SC201.	70°C max	- 40 to 110°C	250mA max	not designed for reverse voltage
ILE-P501-ULWH-SC201.	70°C max	- 40 to 110°C	250mA max	not designed for reverse voltage

* Exceeding maximum ratings for operating and storage temperature will reduce expected life time or destroy the LED module.

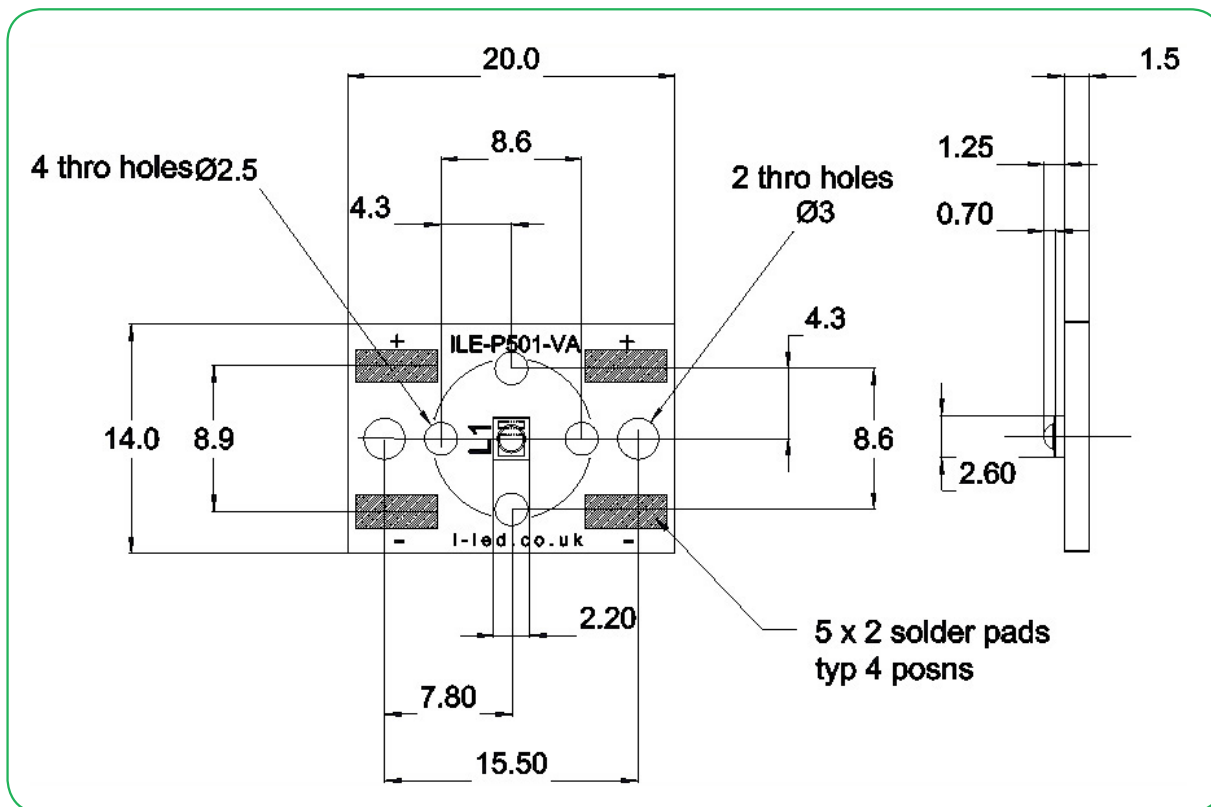
Exceeding maximum ratings for operating voltage will cause hazardous overload and is likely to destroy the LED module.

The temperature of the LED module must be measured at the Tc-Point according to EN60598-1 in a thermally constant status with a temperature sensor or a temperature sensitive label.

Radiation of single LED



Technical Drawing with cables (mm)



3D drawing files are available on request from ILS. Please call or email

Duris® P5 Eco1 White Lens and Reflector Options

LEDIL precision-engineered Lenses and Reflectors allow for rapid deployment of all types of light fixtures, including street lights, wall-wash, high-bay, sconces, emergency beacons, parking garage/low-bay, MR and AR down lights, and dock lights. Precision-engineered for maximum efficiency and durability, LEDIL Lenses and Reflectors are released alongside the latest product releases from our LED suppliers. You select the best LED for the application; choose LEDIL and you're selecting the best optical solution as well.



Currently there are not any recommend Lens options from LEDIL for the Duris® P5, however physical locater pins for a number of Ledil product families are on the board. In-house Lux testing with a number of these has shown minimal losses. Due to the nature of the device, colour over beam consistency may be an issue for some applications. Beam angle information is not currently available.

ILS Part Number	Duris® P5 Eco1 Beam Angle (FWHM)	Mounting Type
LELIA-XX	Measurement data available shortly	Pin,Glue,Tape
EMILY-XX	Measurement data available shortly	Pin,Tape
FLARE MINI-XX	Measurement data available shortly	Glue & Pin,Glue,Tape
HEIDI-XX	Measurement data available shortly	Pin, Tape
TINA-XX	Measurement data available shortly	Pin,Tape & Glue
TINA2-XX	Measurement data available shortly	Pin,Tape & Glue
TINA3-XX	Measurement data available shortly	Pin,Tape
LISA2-XX	Measurement data available shortly	Clips, Glue & Pin, Glue
LAURA-XX	Measurement data available shortly	Pin,Tape
JULIA-X	Measurement data available shortly	Clips, Glue & Pin, Glue
LARISSA	Measurement data available shortly	Clips, Glue & Pin, Glue

Duris® P5 Eco1 White Heat Sink Options




ILS has recently introduced a series of Aluminium Alloy Heat Sinks to be used with our standard range of PowerStars and PowerClusters. These Heat Sinks are supplied with fixing screws for the light engine and for fixing to a base plate. They also come with Thermal Interface Material (TIM) attached to the top surface. Available in Black, Red, Silver and Blue colour variants. More versions will be introduced over the coming months and we are also happy to manufacture custom Heat Sinks to your request.

This product would normally not require Heat Sinks as heat generated is normally minimal.

Duris® P5 Eco1 White Power Supply Options

ILS has a comprehensive range of standard Power Supplies. The table below shows the total number of ILS products each Power Supply can drive.

Additional Power Supplies are being introduced so please call us or check our website for the latest offering.

ILS Driver Part Number	Rating	Current	Duris® P5 Eco1	
IZC035-008F-5065C-SA	8W	350mA	2,4,6,8 in parallel strings	
IZC070-008F-5065C-SA	8W	700mA	6 in series	
IZC015-005F-0067C-QA	5W	150mA	7-10	
IZC035-005F-0067C-QA	5W	350mA	2,4,6,8 in parallel strings	

Thermal Interface Material Options

ILS have produced a range of high-performance, cost effective Thermal Interface Materials to match perfectly their standard products.

Our product fills the air pockets between the two surfaces, forming a continuous layer to conduct heat away from the LED to the Heat Sink.

As the Eco1 generates little heat, TIM is therefore not needed. Our double sided thermal tape would be suitable for fixing the Eco1 to a fixture, Heat Sink and flat substrate.

Product	Non Adhesive	Single Sided Adhesive	Double Sided Adhesive
Duris® P5 Eco1			ILA-TIM-ECO1-2A

Other sizes are available, including customised parts

Assembly Information

In order to optimise the thermal management, the metal surface needs to be clean (dirt and oil free) and planar for the best contact with the LED module. A thermal grease or heat transfer material is highly recommended.

Safety Information

- The LED module itself and all its components must not be mechanically stressed.
- Assembly must not damage or destroy conducting paths on the circuit board.
- The mounting of the module is carried out by attaching it at the mounting holes. Metal mounting screws must be insulated with synthetic washers to prevent circuit board damage and possible short circuiting.
- To avoid mechanical damage to the connecting cables, the boards should be attached securely to the intended substrate. Heavy vibration should be avoided.
- Observe correct polarity!
- Depending on the product, incorrect polarity will lead to emission of red or no light. The module can be destroyed!
- Pay attention to standard ESD precautions when installing the Duris® P5 Eco1.
- The Duris® P5 Eco1, as manufactured, have no conformal coating and therefore offer no inherent protection against corrosion.
- Damage by corrosion will not be accepted as a materials defect claim. It is the user's responsibility to provide suitable protection against corrosive agents such as moisture and condensation and other harmful elements.
- For outdoor usage, housing is definitely required to protect the board against environmental influences. The design of the housing must correspond to the IP standards in the application. It is also the responsibility of the user to ensure any housing or modifications keep the Tc junction temperature to within stated ranges.
- To also ease the luminaire/installation approval, electronic control gear for LED or LED modules should carry the CE mark and be ENEC certified. In Europe the declarations of conformity must include the following standards: CE: EC 61374-2-13, EN 55015, IEC 61547 and IEC 61000-3-2 - ENEC: 61374-2-13 and IEC/EN 62384.
- The evaluation of eye safety occurs according to the standard IEC 62471:2006 ("photobiological safety of lamps and lamp systems"). Within the risk grouping system of this CIE standard, the LED specified in this data sheet falls into the class "moderate risk" (exposure time 0.25s). Under real circumstances (for exposure time, eye pupils, observation distance), it is assumed that no endangerment to the eye exists from these devices. As a matter of principle, however, it should be mentioned that intense light sources have a high secondary exposure potential due to their blinding effect. As is also true when viewing other bright light sources (e.g. headlights), temporary reduction in visual acuity and afterimages can occur, leading to irritation, annoyance, visual impairment and even accidents, depending on the situation.

For further information please contact ILS

The values contained in this data sheet can change due to technical innovations. Any such changes will be made without separate notification.