

OSLONeye Powerstar Adaptor Kit

ILK-OSLONEYE-01.

Product Overview

The OSLONeye adaptor kit gives you everything you need to make a compact High-Flux LED Minispotlight.

The adaptor kit has been designed around the ILS standard Oslon single star, you can choose any version from our family such as IR, colours and whites.

Once you have selected the LED, you now choose from any of the Ledil Tina family, giving you options from 11 to 66 degree FWHM.

Integrated heatsinking keeps the OSLONeye compact, and an integrated threaded end makes installations simple.



Applications

- Cabinet Lighting
- Shelf Lighting
- Accent Lighting
- Spot Light
- Decorative Lighting
- Retail Lighting

Technical Features

- Heat Sink integrated
- Once assembled up to 100,000 Hour lifetime to 70% of original brightness
- Mounting using integrated M12 threaded end
- Assembled Size 40mm Long, 30mm diameter
- Once assembled the OSLONeye has 160mm connecting wires
- OSLONeye can be linked together to produce longer chains

*This datasheet should be read in conjunction with the relevant OSRAM Opto Semiconductors data on the LED used

Important Information and Precautions

- The OSLONeYE LEDs, when powered up are very bright. Thus it is advised that you do not look directly at it. Turn the OSLONeYE away from you and do not shine into the eyes of others.
- Do not operate OSLONeYE's with a Power Supply with unlimited current. Connection to constant voltage Power Supplies that are not current limited may cause the OSLONeYE to consume current above the specified maximum and cause failure or irreparable damage.
- OSLONeYE's, when operated, can reach high temperatures thus there is risk of injury if they are touched.
- DO NOT HOT PLUG ON LED SIDE OF POWER SUPPLY.
- DO NOT TOUCH or PUSH on the LED as this can cause irreparable damage

Product Options

ILS PART NUMBER	Description
ILK-OSLONeYE-01.	OSLONeYE Metal Housing and TIM

* Due to the special conditions of the manufacturing processes of LEDs, the typical data of technical parameters can only reflect statistical figures and do not necessarily correspond to the actual parameters of each single product which could differ from the typical data.

§ Tolerance +/- 10%

† Measured with 20mS 350mA pulse at 25 °c

Pre-Assembled OSLONeYE Products

We have manufactured a small range of pre-assembled OSLONeYEs.

ILS PART NUMBER	Colour*	Colour Temp	Typical Wattage		Forward Voltage	Flux † at 350mA	Radiance Angle	Relevant OSRAM LED Data
			@ 350mA	@700mA				
ILI-ON01-WMWH-SC211.	Warm White	3000k	1.09 watts	2.17 watts	2.7 to 3.5 volts	<130 lm	12° (±6°)	LCW CR7P. EC
ILI-ON01-NUWH-SC211.	Neutral White	4000k	1.09 watts	2.17 watts	2.7 to 3.5 volts	<140 lm	12° (±6°)	LCW CR7P. EC
ILI-ON01-STWH-SC211.	Street White	5700k	1.09 watts	2.17 watts	2.7 to 3.5 volts	<164 lm	12° (±6°)	LUW CR7P
ILI-ON01-BLUE-SC211.	Blue	470nm	1.09 watts	2.17 watts	2.7 to 3.5 volts	<71 lm	12° (±6°)	LB CP7P
ILI-ON01-TRGR-SC211.	True Green	528nm	1.09 watts	2.17 watts	2.7 to 3.5 volts	<112 lm	12° (±6°)	LT CP7P
ILI-ON01-YELL-SC211.	Yellow 590	590nm	0.81 watts	1.61 watts	2.0 to 2.6 volts	<71 lm	12° (±6°)	LY CP7P
ILI-ON01-RDOR-SC211.	Red-Orange	617nm	0.77 watts	1.54 watts	2.0 to 2.6 volts	<90 lm	12° (±6°)	LA CP7P
ILI-ON01-RED1-SC211.	Red	625nm	0.65 watts	1.30 watts	2.0 to 2.6 volts	< 71 lm	12° (±6°)	LR CP7P

* Due to the special conditions of the manufacturing processes of LEDs, the typical data of technical parameters can only reflect statistical figures and do not necessarily correspond to the actual parameters of each single product which could differ from the typical data.

§ Tolerance +/- 10%

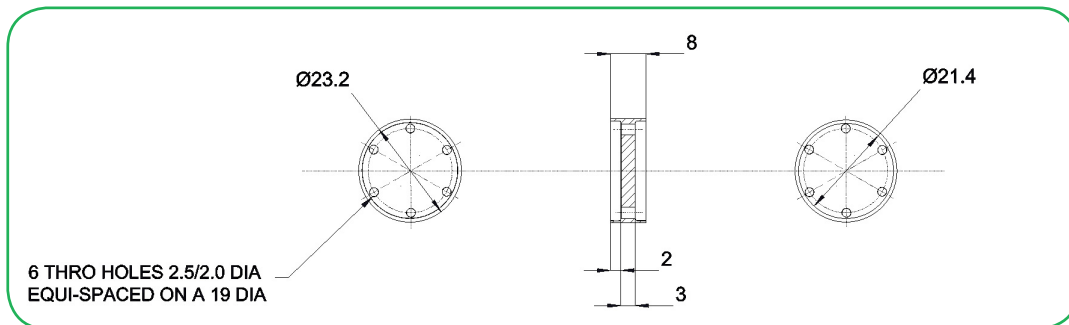
† Measured with 20mS 350mA pulse at 25 °c

Technical Drawing Assembled OSLONeYE

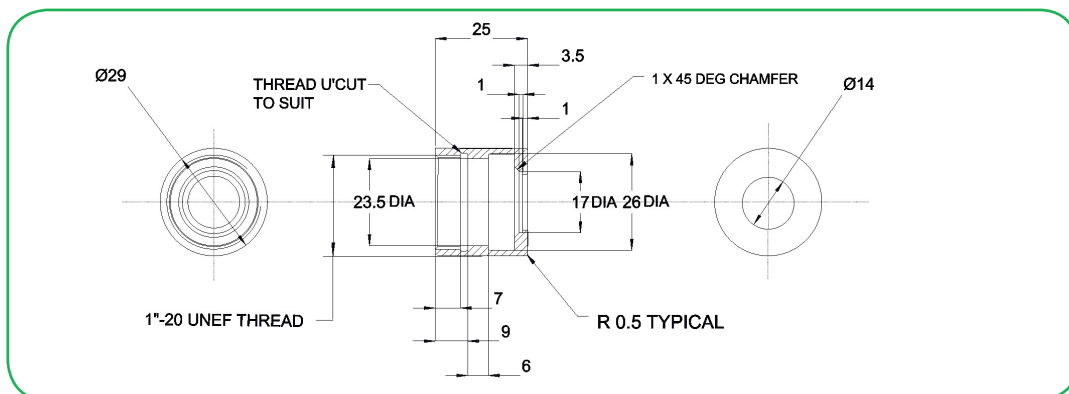


3D drawing files are available on request from ILS. Please call or email

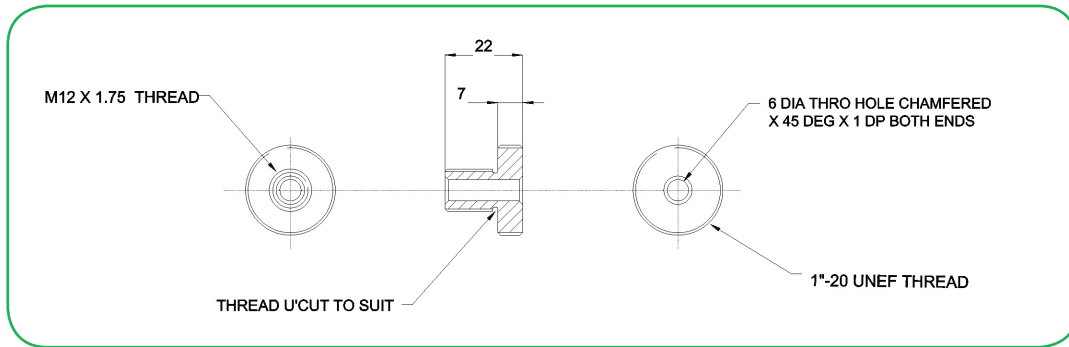
Inner Housing



Outer Housing



Outlet Adapter



Safety Information

- The LED module itself and all its components must not be mechanically stressed.
- Assembly must not damage or destroy conducting paths on the circuit board.
- The mounting of the module is carried out by attaching it at the mounting holes. Metal mounting screws must be insulated with synthetic washers to prevent circuit board damage and possible short circuiting.
- To avoid mechanical damage to the connecting cables, the boards should be attached securely to the intended substrate. Heavy vibration should be avoided.
- Observe correct polarity!
- Depending on the product, incorrect polarity will lead to emission of red or no light. The module can be destroyed!
- Pay attention to standard ESD precautions when installing the OSLONeYE.
- The OSLONeYE, as manufactured, has no conformal coating and therefore offer no inherent protection against corrosion.
- Damage by corrosion will not be accepted as a materials defect claim. It is the user's responsibility to provide suitable protection against corrosive agents such as moisture and condensation and other harmful elements.
- For outdoor usage, a housing is definitely required to protect the board against environmental influences. The design of the housing must correspond to the IP standards in the application. It is also the responsibility of the user to ensure any housings or modifications keep the Tc junction temperature to within stated ranges.
- To also ease the luminaire/installation approval, electronic control gear for LED or LED modules should carry the CE mark and be ENEC certified. In Europe the declarations of conformity must include the following standards: CE: EC 61374-2-13, EN 55015, IEC 61547 and IEC 61000-3-2 - ENEC: 61374-2-13 and IEC/EN 62384.
- The evaluation of eye safety occurs according to the standard IEC 62471:2006 ("photobiological safety of lamps and lamp systems"). Within the risk grouping system of this CIE standard, the LED specified in this data sheet falls into the class "moderate risk" (exposure time 0.25s). Under real circumstances (for exposure time, eye pupils, observation distance), it is assumed that no endangerment to the eye exists from these devices. As a matter of principle, however, it should be mentioned that intense light sources have a high secondary exposure potential due to their blinding effect. As is also true when viewing other bright light sources (e.g. headlights), temporary reduction in visual acuity and afterimages can occur, leading to irritation, annoyance, visual impairment and even accidents, depending on the situation.

For further information please contact ILS

The values contained in this data sheet can change due to technical innovations. Any such changes will be made without separate notification.