

High Output Voltage LED Power Supply

IZC140-120M-9065C-SAL

Product Overview

IZC140-120M-9065C-SAL operates from a 180-528VAC input range with an output of 1400mA with a wide voltage range of 54-108V. It is designed to be highly efficient and highly reliable. Features include Power Factor Correction and fully encapsulated to IP65.

Applications:

- LED Signs
- LED Strips and Tapes
- Outdoor LED Lighting
- Display Cases
- LED Down Lights and Office Lighting
- Retail and Entertainment Lighting



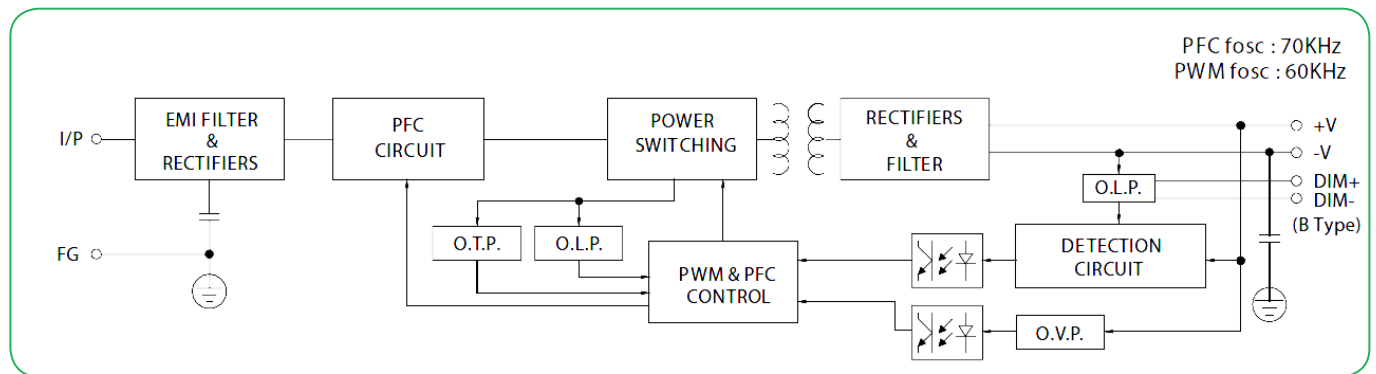
Technical Features:

- Constant current design
- Wide AC input range 180-528VAC
- Built in active PFC function
- High efficiency up to 91%
- Protection: Short circuit, Over voltage, Over temperature
- Cooling by free air convection
- OCP point adjustable through output cable or internal potentiometer
- IP65 rated for indoor and outdoor installation

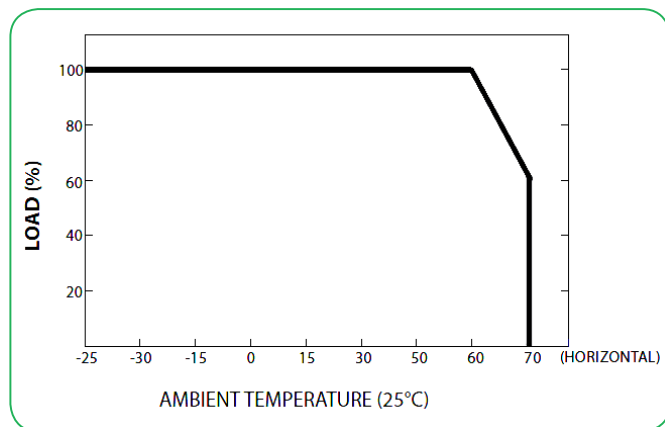
Product Overview

ILS PART NUMBER		IZC140-120M-9065C-SAL
Output	Rated Current	1400mA
	DC Voltage Range	54-108V
	Rated Power	150W
	Ripple & Noise	1Vp-p
	Current Adj. Range	840~1400mA
	Efficiency	90%
Input	Voltage Range	180~528VAC
	Frequency Range	47~63Hz
	Power Factor	PF>0.98/230VAC, PF>0.97/277VAC, PF>0.95/347VAC, PF>0.93/440VAC at full load (Please refer to Power Factor Characteristic curve)
	AC Current	0.23A/230VAC 0.2A/277VAC
	Inrush Current	55A@480VAC, Cold Start
	Leakage Current	<0.75mA/480VAC
Protection	Short Circuit	Constant current limiting, recovers automatically after fault condition is removed
	Over Voltage	113~124V Protection type: Shutdown o/p voltage, re-power on to recover
	Over Temperature	Shut down o/p, re-power on to recover
Elec Character-istics	Rise Time	150ms@ 480/347VAC, 95% load
	Hold Up Time	18ms@ 480/347VAC, full load
	Current Accuracy	±5.0%
	Setup Time	2700ms@ 480/347VAC
Environment	Temperature	Operating: -40°C~+70°C ; Storage: -40~ +80°C
	Humidity	Operating: 20%~95% RH; Storage: 10%~95% RH (non condensing)
	Temp Coefficient	±0.03%/°C (0~50°C)
	Vibration	10~500Hz, 5G 12min./1cycle, period for 72min. each along X, Y, Z axes
Safety	Withstand Voltage	I/P-O/P:3.75KVAC I/P-FG:2KVAC O/P-FG:0.5KVAC
	Isolation Resistance	I/P-O/P, I/P-FG, O/P-FG:>100M Ohms / 500VDC / 25°C/ 70% RH
	Safety Standard	Compliance to UL8750, CSAC22.2 No. 250.0-08, TUV EN61347-1, EN61347-2-13. IP65 approved
EMC	EMC Emission	Compliance to EN55015, EN61000-3-2 Class C (≥50% load); EN61000-3-3, FCC part 15 Class B
	EMC Immunity	Compliance to EN61000-4-2,3,4,5,6,8,11, EN61547, light industry level (surge 4KV), criteria A

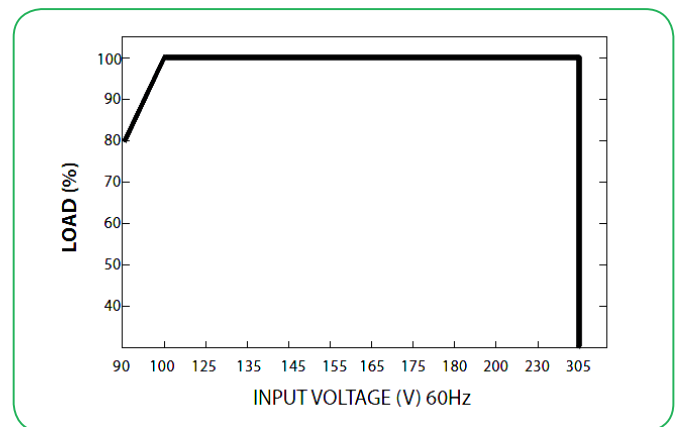
Block Diagram



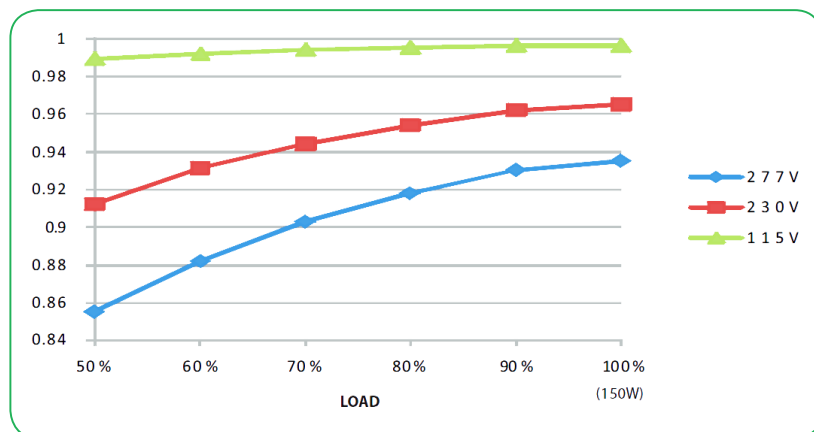
Derating Curve



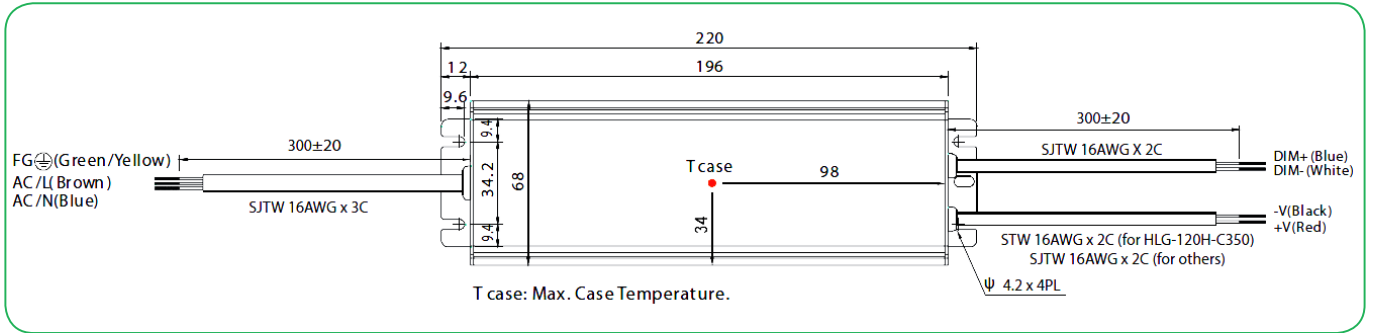
Static Characteristics



Constant Current Mode



Technical Drawing



For further information please contact ILS

The values contained in this data sheet can change due to technical innovations. Any such changes will be made without separate notification.