

Dimmable Constant Current LED Drivers

IZC0xx-018T Series

Product Overview

IZC0xx-018T Series are a range of RoHS compliant single output Constant Current power supplies, of non waterproof design, suitable for indoor LED lighting applications with triac dimming function.

Technical Features:

- Captive terminal screws for ease of installation
- Snap lock cable strain relief
- Over load/short circuit and thermal protection
- Triac Dimming 1-100%
- Leading and trailing edge operation
- Class II product



Applications:

- Residential LED lighting
- Retail Lighting
- LED downlights
- LED Backlighting
- Mood lighting
- Light sculptures

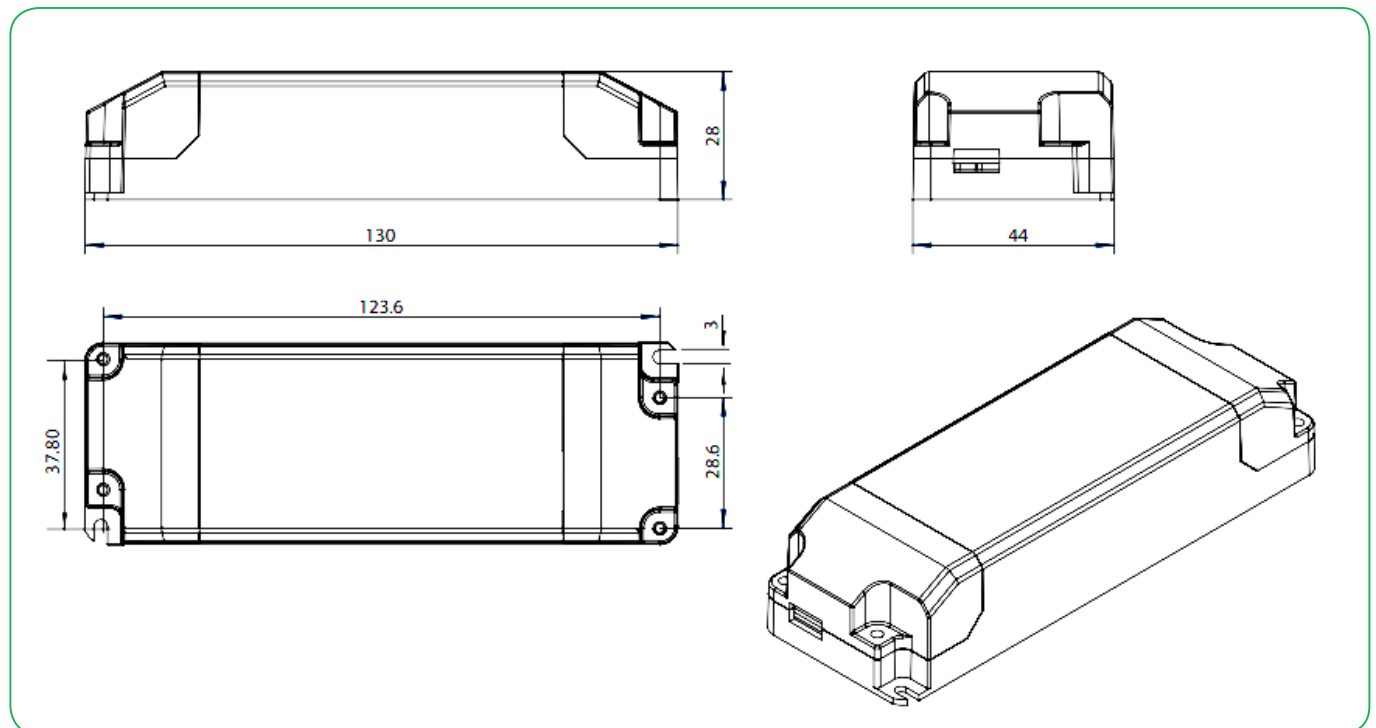
Product Options

ILS PART NUMBER	Voltage	Current	Power	LED Config.	Operating Temperature	Dimensions
IZC070-018T-9500A-SX	6V-26V	700mA	18W	2-7 White LEDs	-20°C to +50°C	L113xW44xH28mm
IZC050-018T-9500A-SX	9-36V	500mA	18W	3-10 White LEDs	-20°C to +50°C	L113xW44xH28mm
IZC035-018T-9500A-SX	15-52V	350mA	18W	5-14 White LEDs	-20°C to +50°C	L113xW44xH28mm

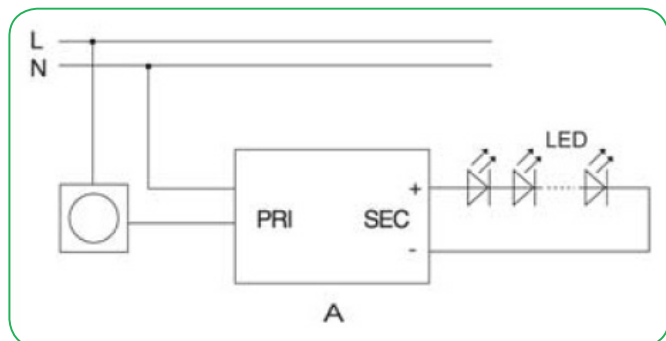
Specification

- IP Rating IP20
- Input Voltage 220-240V
- Input Frequency 50Hz to 60Hz
- Power Factor 0.95
- Efficiency higher than 80%
- Set Up Time < 2s
- Over Load Protection 100-135% of rated output power
- Over Temperature Protection Thermal shutdown
- Dimming Control Triac controlled 1-100%
- Storage Temperature -20°C to +80°C
- Lifetime 50K hours full load 25°C
- Safety Standards Designed to meet EN61347-1:2001/EN61347-2-13:2001
- EMI Standards Meets Emissions to EN 55105,EN61547
- Weight 108g
- Input Connections Screw terminal
- Output Connections Screw terminal

Technical Drawing



LED Configuration



For further information please contact ILS

The values contained in this data sheet can change due to technical innovations. Any such changes will be made without separate notification.