

5Watt Single Output Switching LED Power Supply

IZC0XX-005F-0067C-QA Series

Product Overview

IZC0XX-005F-0067C-QA Series are a range of low wattage Constant Current LED drivers, IP67 rated, small and compact design. Ideal for driving a number of mid power including the Duris P5.

Applications

- LED Signs
- LED Strips and Tapes
- Outdoor LED Lighting
- Display Cases
- LED Downlights and Office Lighting
- Retail and Entertainment Lighting



Technical Features

- IP67
- Over current protection
- 100% Full Load Burn-In Test
- Small & Compact

Product Options

ILS PART NUMBER	Voltage	Current	Power	LED Config.	Operating Temperature	Dimensions
IZC015-005F-0067C-QA	20-33V	150 mA	5W	7-10 Mid Power LEDs in series	-10°C ~ 50°C	L53xW28xH22mm
IZC035-005F-0067C-QA	2-12V	350 mA	5W	1-3 High Power / 8 Mid Power in 2x Parallel String	-10°C ~ 50°C	L53xW28xH22mm
IZC070-005F-0067C-QA	2-6V	700 mA	5W	1-2 High Power LEDs	-10°C ~ 50°C	L53xW28xH22mm

Specification

Output

- Voltage Tolerance $\pm 3.0\%$
- Line Regulation $\pm 1.0\%$
- Load Regulation $\pm 2.0\%$
- Setup, Rise, Hold Up Time 500ms, 250ms, 50/230VAC

Input

- Voltage Range 100-240 VAC
- Frequency Range 47-63Hz
- Efficiency (Typ.) 66% full load at 100 VAC, 72% full load at 240VAC
- AC Current 0.15A/100AC 0.1A/200AC
- Inrush Current Cold Stat 30A/230VAC
- Leakage Current 0.25mA/240VAC

Protection

- Over Current Withstand Short circuit output for 30 seconds

Environment

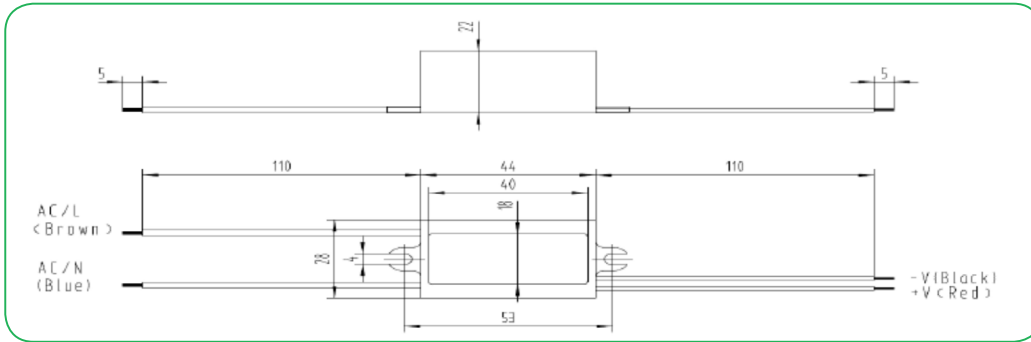
- Working Temp. $-10 - 50^{\circ}\text{C}$
- Working Humidity 20-90% RH non-condensing
- Storage Temp, Humidity $-40 - 80^{\circ}\text{C}$, 10-95% RH
- Temp Coefficient $\pm 0.03\%/^{\circ}\text{C}$ (0-50°C)
- Vibration 10-500Hz, 2G 10min./1 cycle, period for 60min. each along X,Y,Z axes

Safety & EMC

- Safety Standards Design refer to UL1310 Class2, TUVEN60950-1, EN61347-2-13, CAN/CSA C22.2 No.223-M91, meet IP67
- Withstand Voltage I/P-O/P:3KVAC
- Isolation Resistance I/P-O/P:>100M ohms / 500VDC / 25-70% RH
- EMI Conduction & Radiation Compliance to EN55022 (CISPR22) Class B
- Harmonic Current Compliance to EN61000-3-2,-3
- EMS Immunity Compliance to EN61000-4-2,3,5,5,6,11:ENV50204, EN55024, light industry level, criteria A

- Weight 43g
- Dimensions 59*28*22mm (L*W*H)

Technical Drawing



RoHS Compliance

Our products comply with the European Directive 2002/95/EC, calling for the elimination of lead and other hazardous substances from electronic products.

For further information please contact ILS

The values contained in this data sheet can change due to technical innovations. Any such changes will be made without separate notification.